

## DUMPERS

### SMALL UNIVERSAL CONTAINER UNLOADER MODEL DP-122-15-4854U



### LARGE UNIVERSAL CONTAINER UNLOADER MODEL DP-443-36-5465U



The large dumper handles these containers, plus (see "USAGE" below)

The small dumper handles these containers plus, (see "USAGE" below)



#### USAGE:

Small Dumper Model DP-122-15-4854U with its extended chute is designed for 010 hamper dumper operations and can handle 1033 cloth hampers, 1046 cloth hampers, 1046P orange plastic hoppers, wire containers, and low corrugated box containers on pallets (not shown). Three other small dumper models without extended chutes have a 54" wide carriage instead of a 44" carriage, are available with different dump heights, and can handle the same containers as model DP-122-15-4854U.

Large Dumper Model DP-443-36-5465U is designed to handle 1046 cloth hampers, 1046P orange plastic hoppers, wire containers, low corrugated box containers on pallets, high corrugated box containers on pallets (not shown), all purpose metal containers, all purpose plastic containers, and BMC's, but not 1033 cloth hampers.

#### FEATURES:

- \* A 10 inch rubber lip safety extension that can be trimmed down if necessary.
- \* Continuous duty motor.
- \* Automatic dual electric eye safety shut off system.
- \* Wheels for moving the unit.
- \* Safety metal shielding.
- \* Hand held control.
- \* Container safety restraints.
- \* Portability option available.

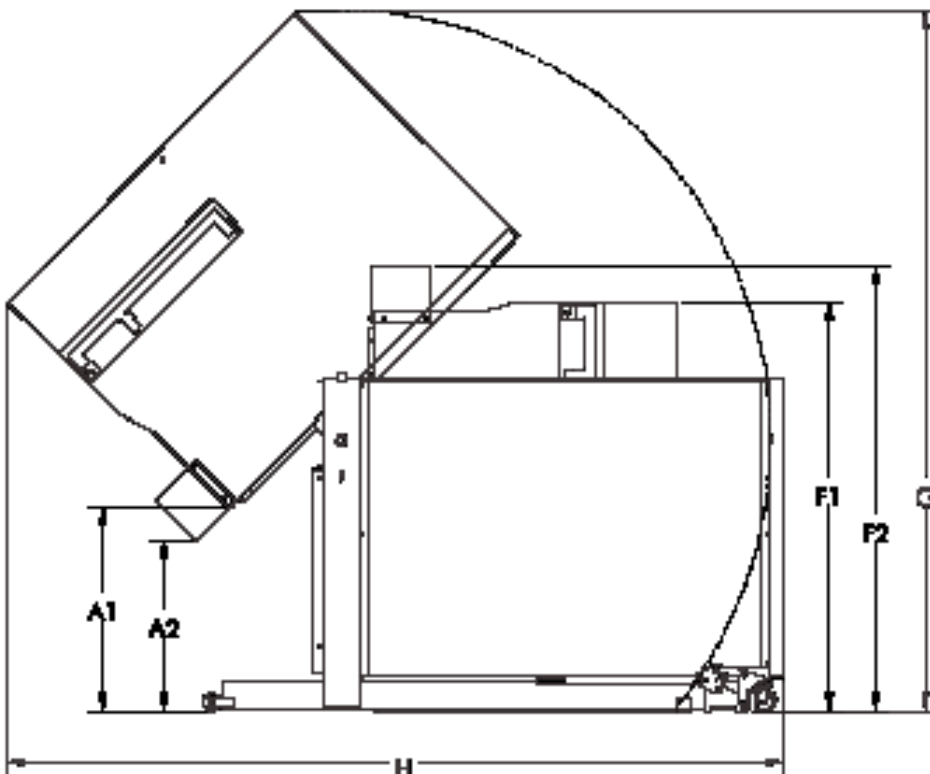
**NOTES:** The USPS must provide an operational power receptacle at the site location for the equipment to operate. Small dumpers = NEMA LS-20R  
Large dumpers = 230/60/3 NEMA L15-20R, 460/60/3 NEMA L16-30R, 230/60/1 NEMA L6-30R.

**1** (See page 2 for diagram and specifications)

## DUMPER SPECIFICATIONS

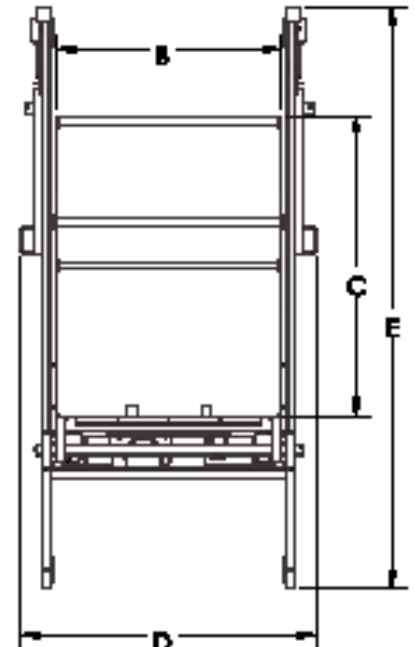
	(A1)	(A2)			(B x C)			(D x E)	(F1)/(F2)	(G) *	(H)	
	Dump Ht. to Metal Chute	Dump Ht. to Rubber Lip	Capacity	Tilt Angle	Carriage Dimensions	Motor	Speed up/down	Overall Dimensions	Carriage Height Chute/Lip	Arc Height	Arc Width	Ship Weight
Model Number	(in.)	(in.)	(lbs.)	(degrees)	W x L (in.)	H.P.- Voltage	(seconds)	W x L (in.)	(in.)	(in.)	(in.)	(lbs.)
<b>Large Universal Dumper</b>												
DP-443-36-5465U	43	36	4000	135	54 x 65	5HP-230/60/3	36/24	70 x 127	89/96	152	169	3100
<b>Small Universal Dumper For 010 Operations</b>												
DP-122-15-4854U	22	15	1250	125	48 x 54	1HP-120/60/1	27/10	64 x 106	85/95	115	130	2300
<b>Small Universal Dumper</b>												
DP-136-29-5454U	36	29	1250	130	54 x 54	1HP-120/60/1	27/10	70 x 106	57/67	115	121	2150
DP-148-41-5454U	48	41	1250	135	54 x 54	1HP-120/60/1	37/14	70 x 114	66/76	134	123	2300
DP-1160-53-5454U	60	53	1250	135	54 x 54	1HP-120/60/1	48/18	70 x 122	78/88	154	126	2450

(Specification dimensions and weights are approximate.)



\* Make sure you have enough overhead clearance for the Arc Height (G.)

\* Portability option available.



(See page 1 for general information)